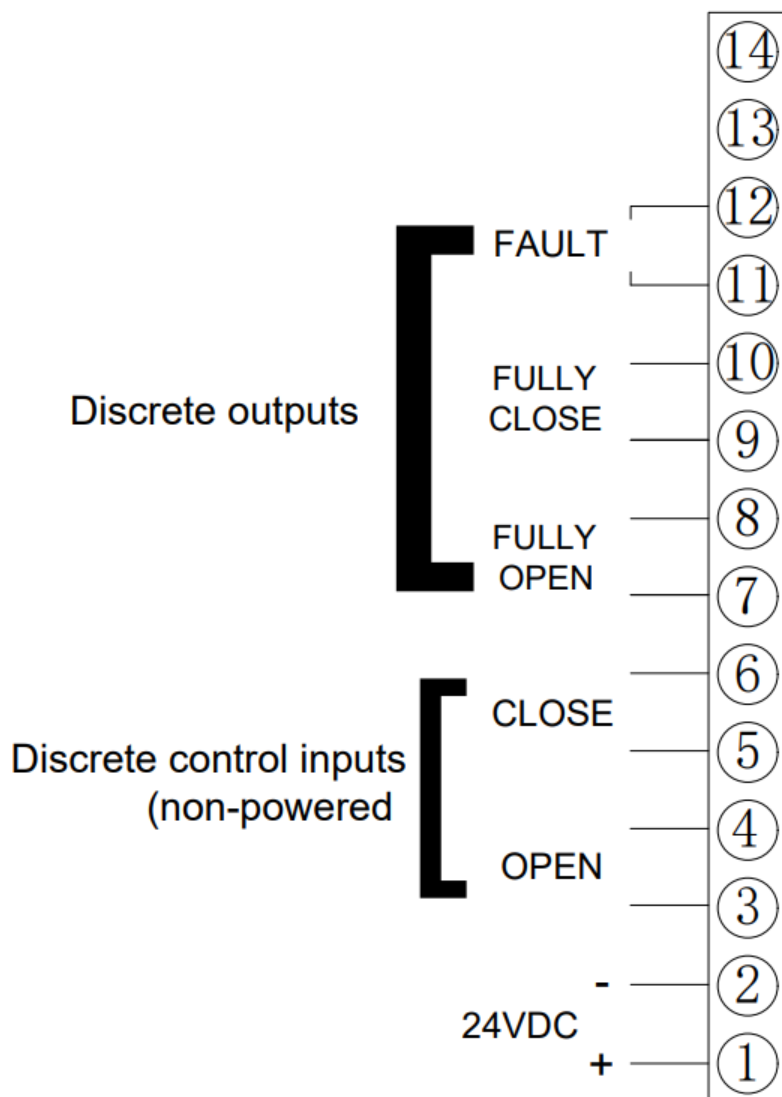


VTM4-600 – Fast Cycle Actuator – 24 VDC On/Off

Wiring Diagram - On-Off Control Mode



Apply 24 VDC power (+) on 1 and (-) on 2. Insert Control inputs for open/close (on/off) are dry contacts/discrete inputs that ARE NOT POWERED.

To simulate a dry contact closure to OPEN the actuator, connect a wire from terminal 3 to terminal 4.

To simulate a dry contact closure to CLOSE the actuator, connect a wire from terminal 5 to terminal 6

Configure board set up to ON-OFF Control under the SYSTEM SETTING/CONTROL MODE in the Menu. Choose IO-KEEP.